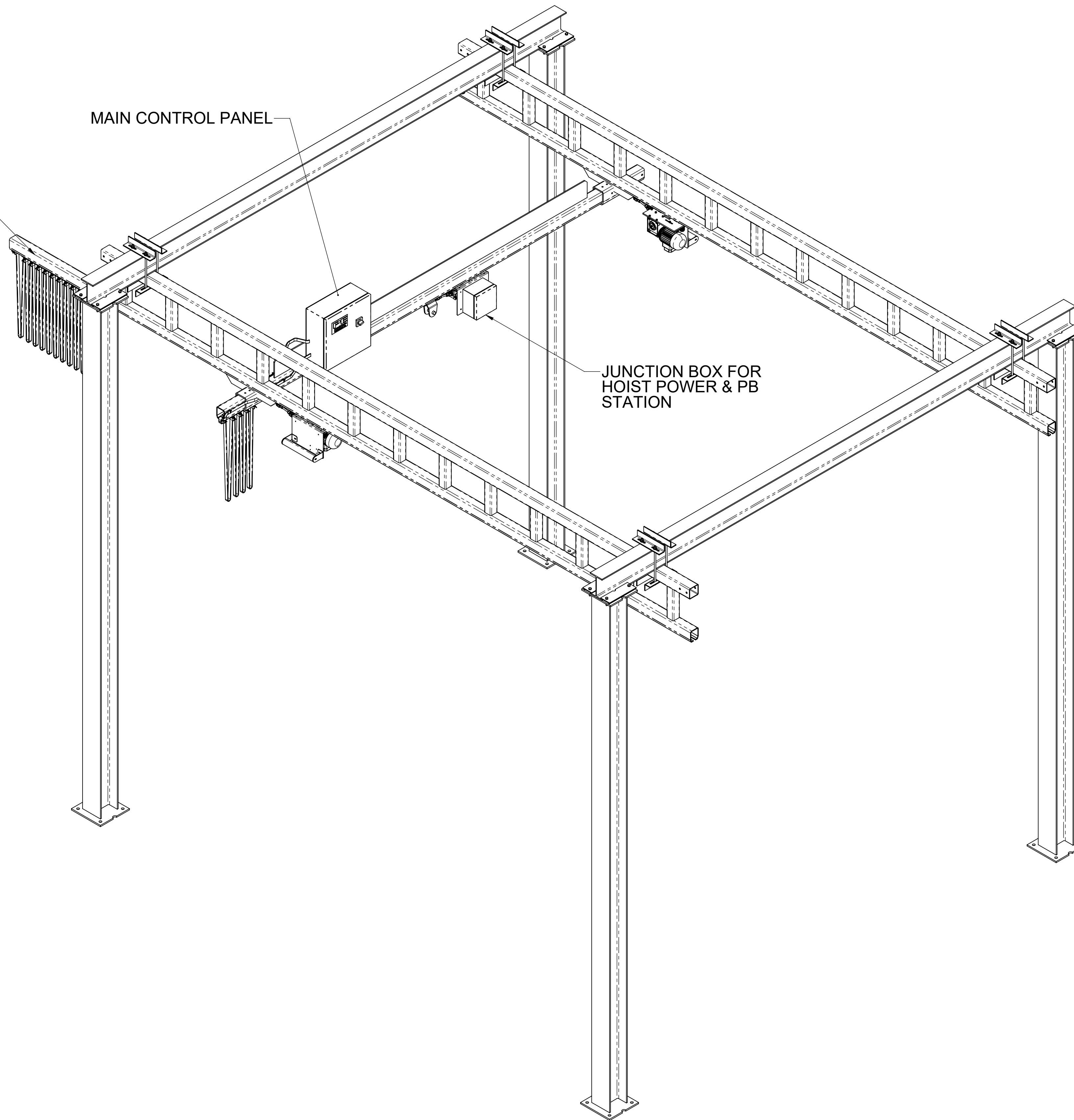


ELECTRICAL LAYOUT FOR NIKORAIL SYSTEMS WITH TRACTOR DRIVE

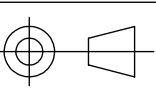
- INPUT SYSTEM POWER OPTIONS:
- FLAT CABLE FESTOONING
 - CONDUCTOR BAR



TITLE
NIKORAIL WORKSTATION CRANE WITH TRACTOR DRIVE

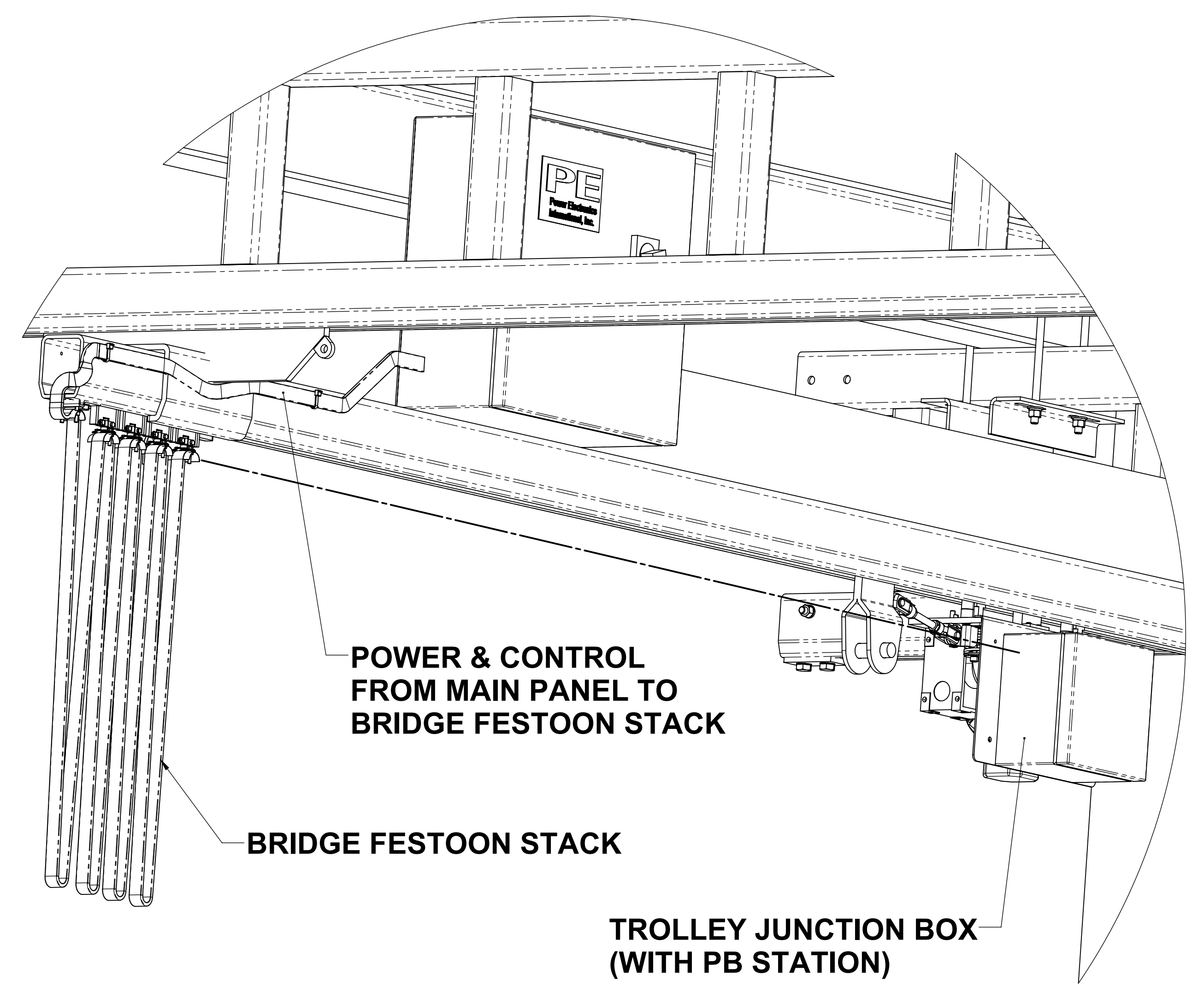
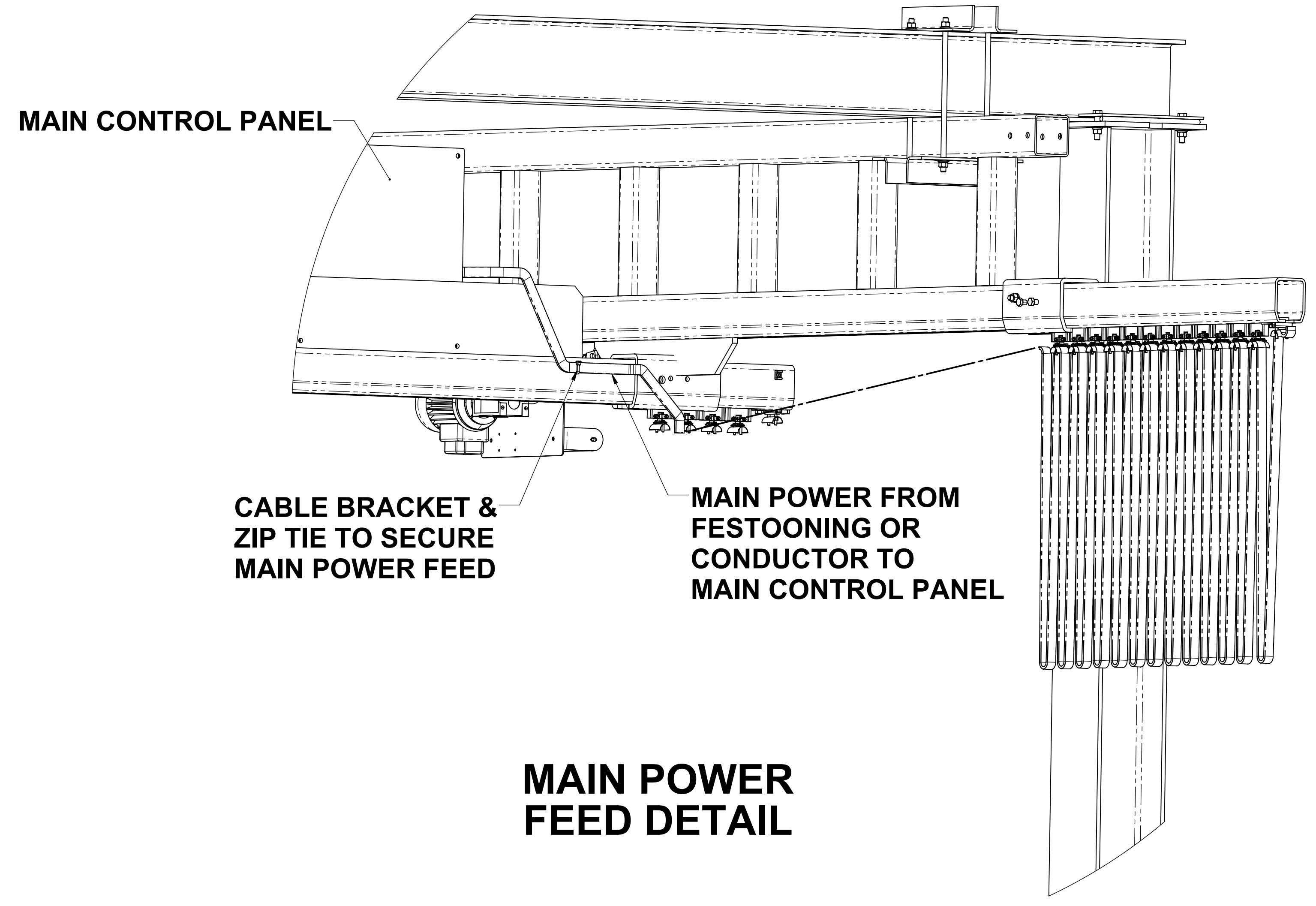
JOB NUMBER	QUOTE NUMBER	EST. WEIGHT PER UNIT (LBS.)	QTY.
		5110.68	1
CREATED BY	CREATED DATE	SHEET SCALE	SHEET NO. SIZE
	8/10/2023	1:20	1 OF 2 D
REVISION			

PROPRIETARY & CONFIDENTIAL INFORMATION CONTAINED IN THIS DRAWING IS THE SOLE PROPERTY OF THE CRANE MANUFACTURER. ANY REPRODUCTION IN PART OR WHOLE WITHOUT THE WRITTEN PERMISSION OF THE CRANE MANUFACTURER IS PROHIBITED.



10 9 8 7 6 5 4 3 2 1

K
J
H
G
F
E
D
C
B
A



POWER & CONTROL FEED TO TROLLEY PANEL DETAIL



JOB NUMBER	QUOTE NUMBER	EST. WEIGHT PER UNIT (LBS.)	QTY.
		5110.68	·
CREATED BY	CREATED DATE	SHEET SCALE	SHEET NO. SIZE REVISION
	8/10/2023	1:30	2 OF 2 D ·

PROPRIETARY & CONFIDENTIAL INFORMATION CONTAINED IN THIS DRAWING IS THE SOLE PROPERTY OF THE CRANE MANUFACTURER. ANY REPRODUCTION IN PART OR WHOLE WITHOUT THE WRITTEN PERMISSION OF THE CRANE MANUFACTURER IS PROHIBITED.

10 9 8 7 6 5 4 3 2 1